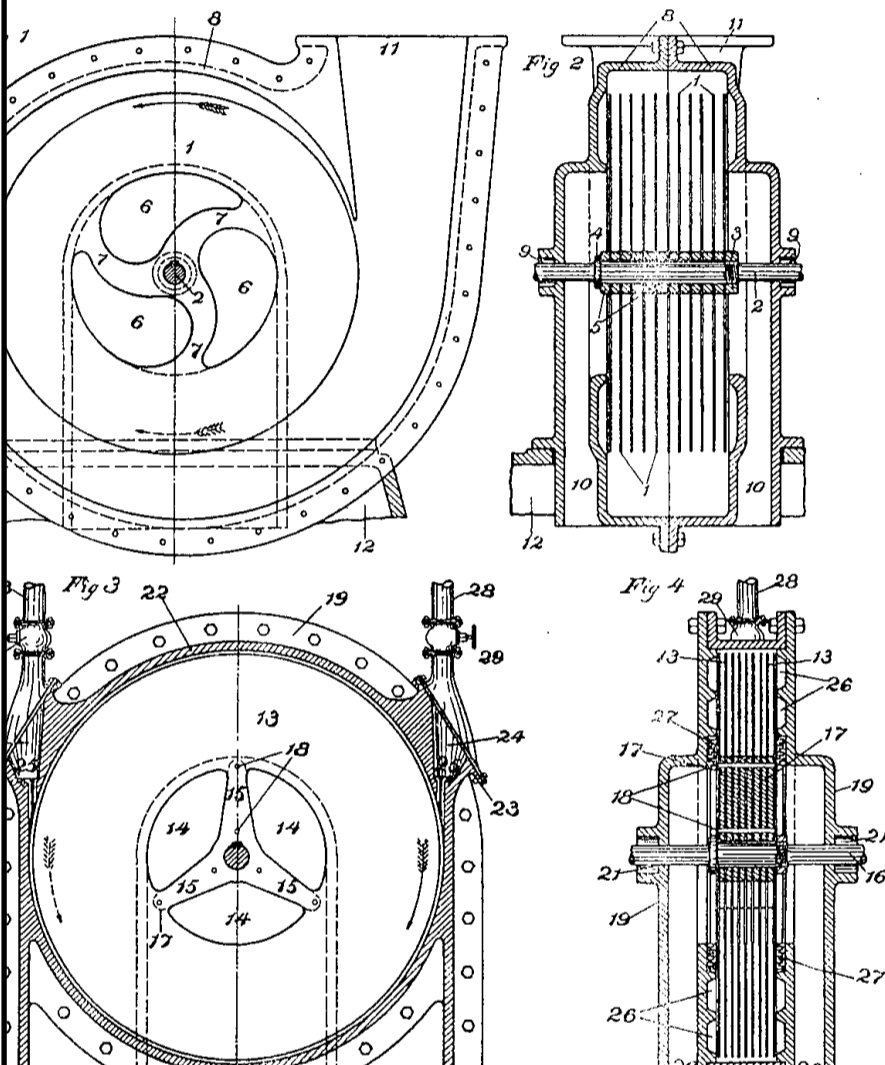
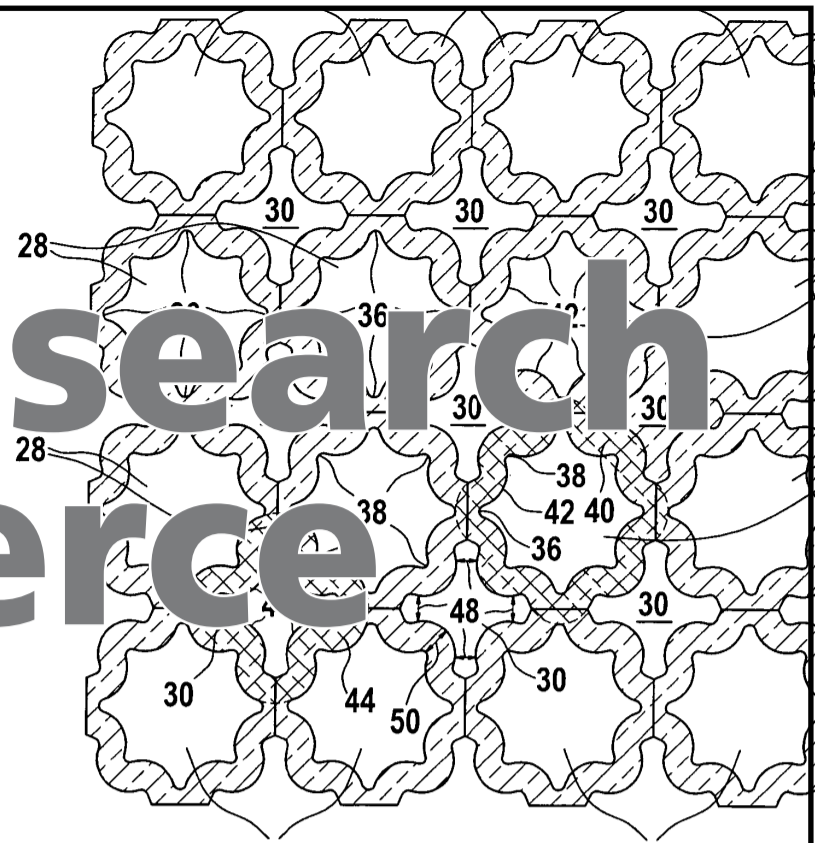


From Research to Commerce



Technology transfer,
patent protection of
high level research
results, and funding

JULY 7, 2009

FIAS MAIN LECTURE HALL

FRANKFURT/MAIN

FIAS
Frankfurt Institute for Advanced Studies
Ruth-Moufang-Str. 1
60438 Frankfurt/Main, Campus Riedberg

15:00 Seminars

17:30 Get together

SKY LOUNGE

TERGAU & POHL
PATENTANWÄLTE

www.tergau.com